

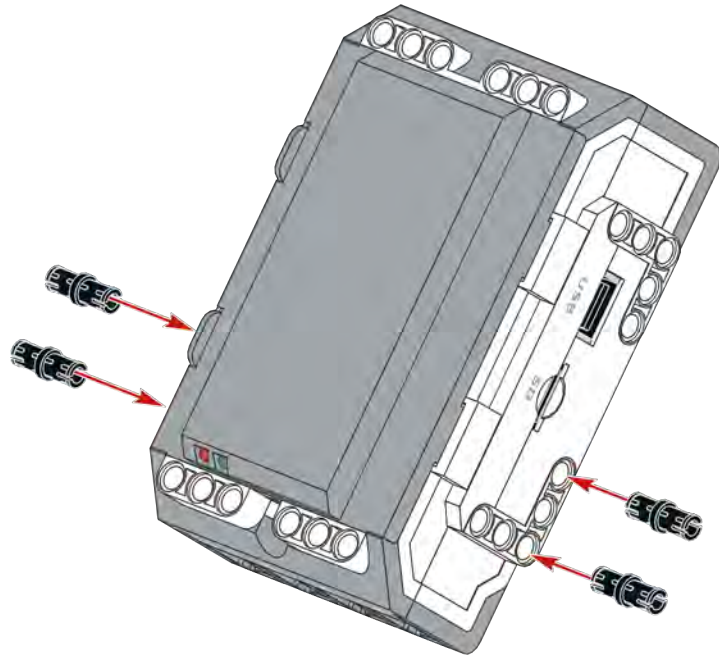
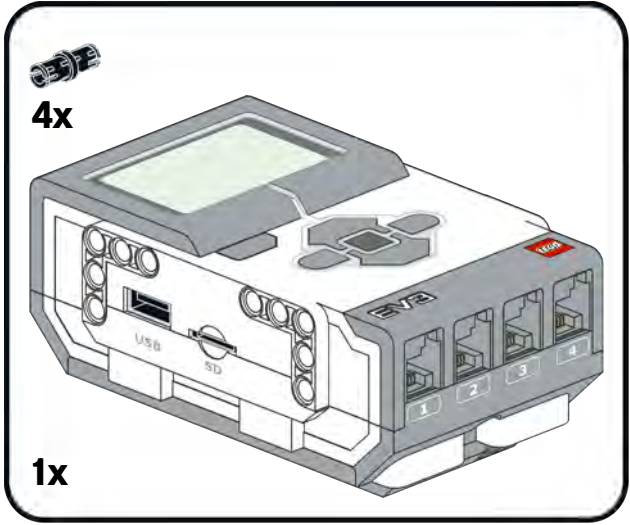
Build it with the
EV3 core set #45544



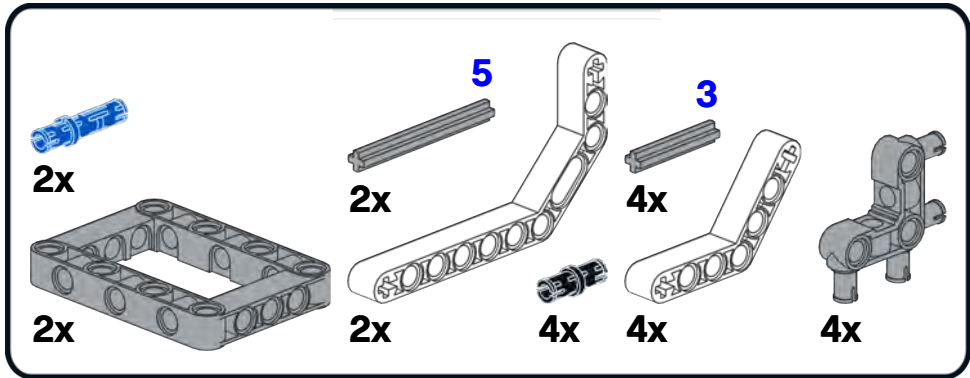
Desk Guardian

Daniele Benedettelli - June 2012

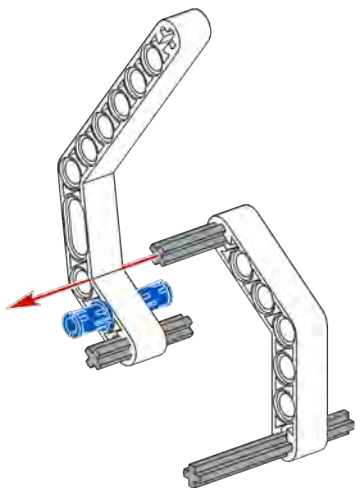
1



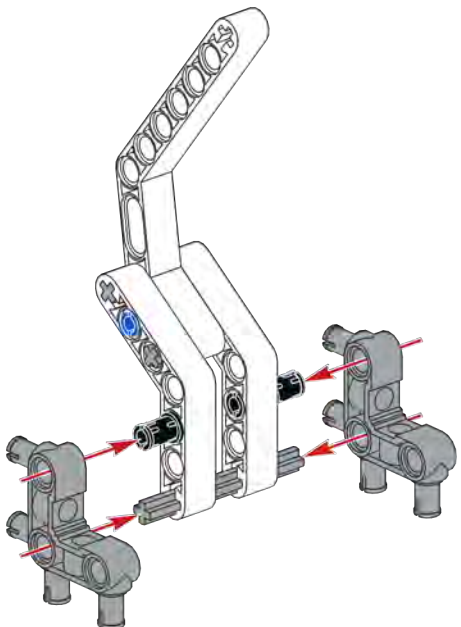
2



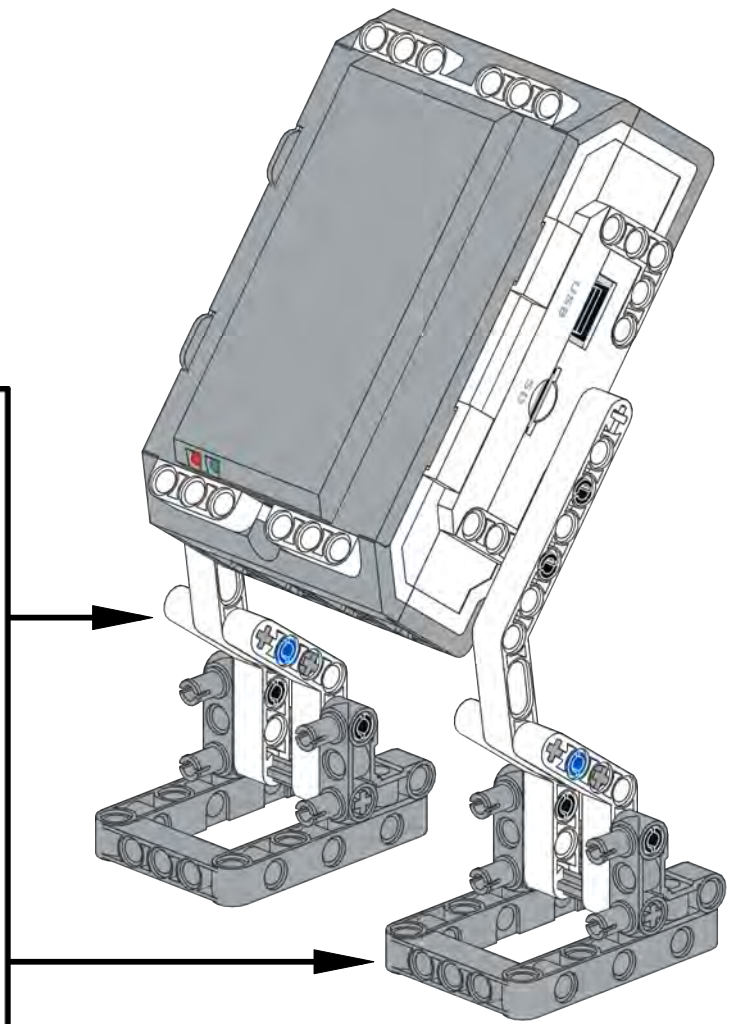
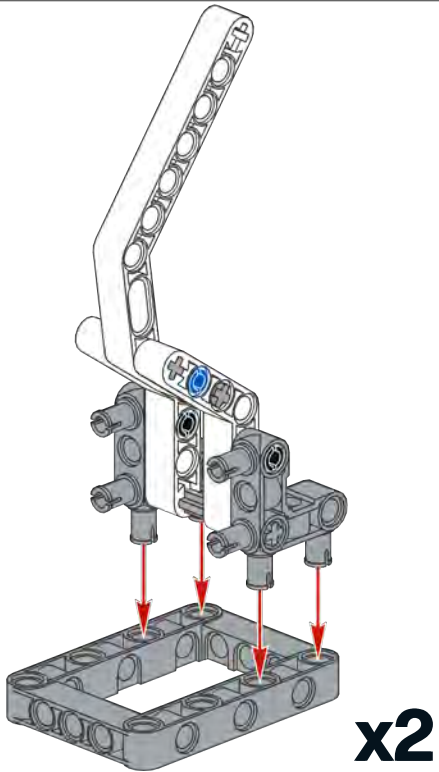
1



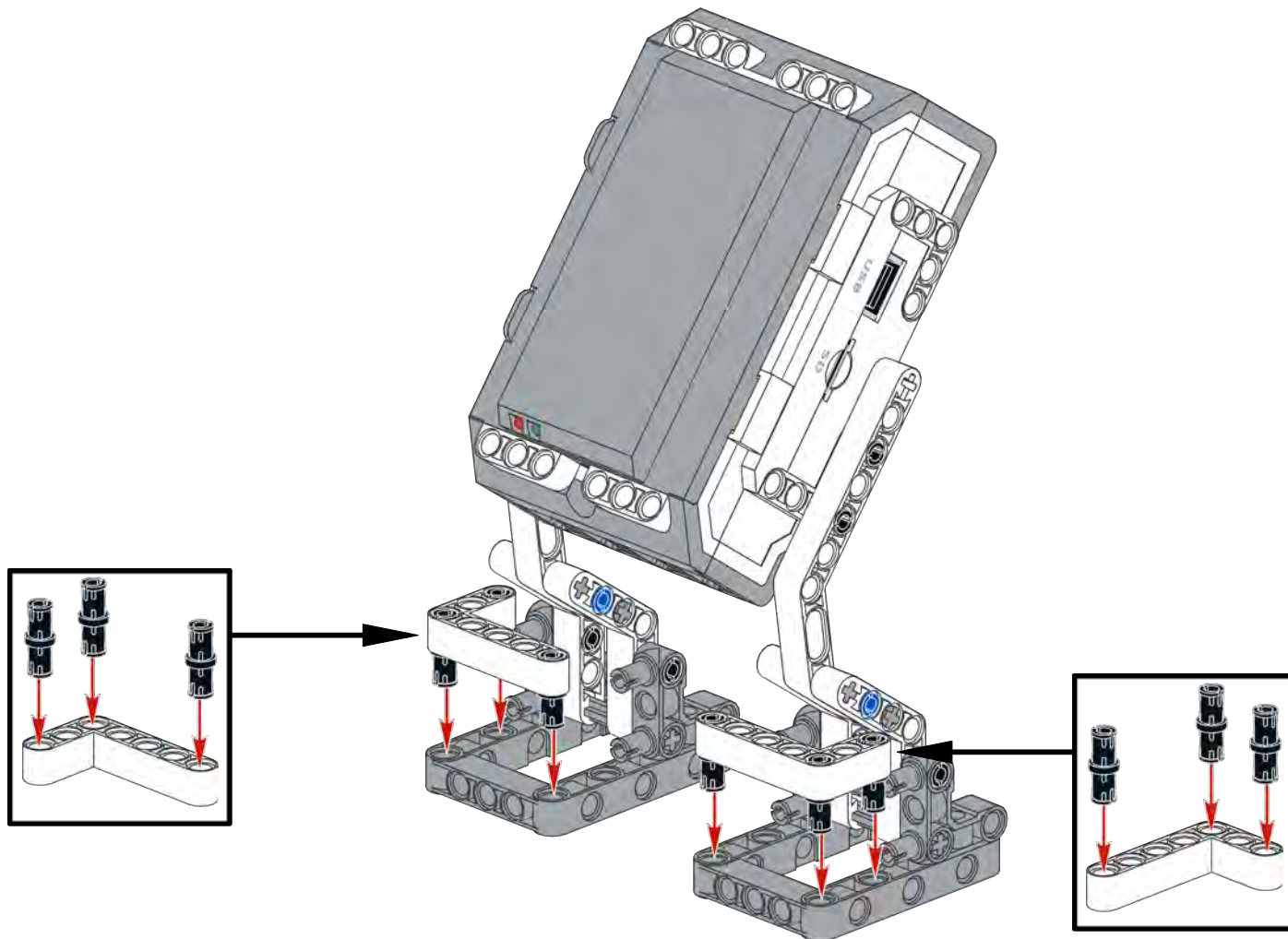
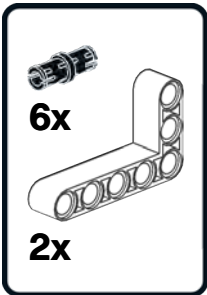
2



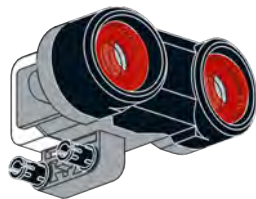
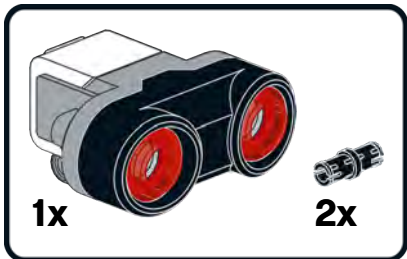
3



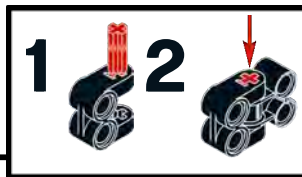
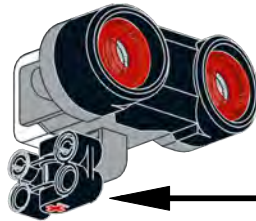
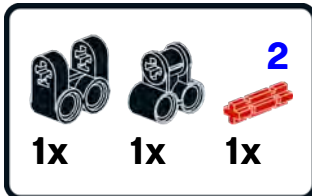
3



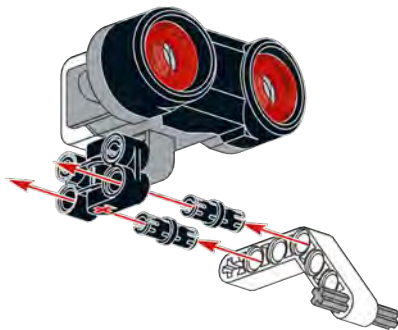
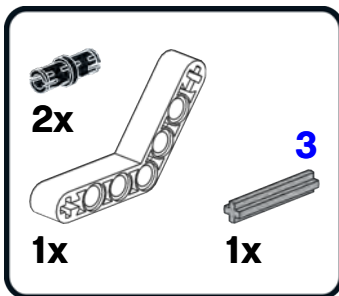
1



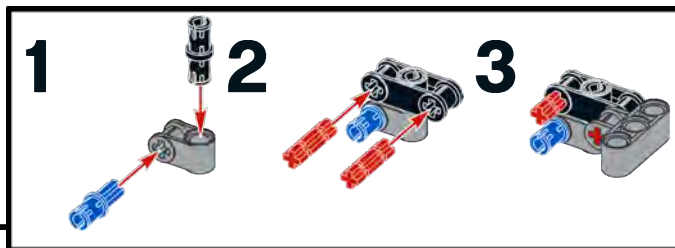
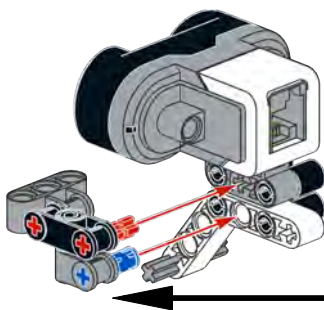
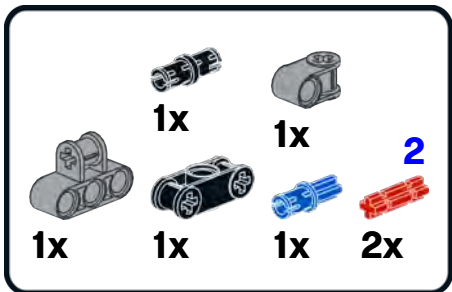
2



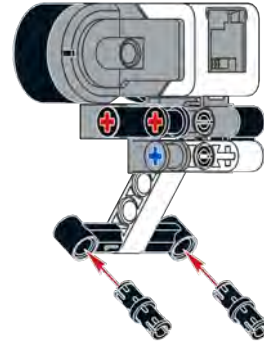
3



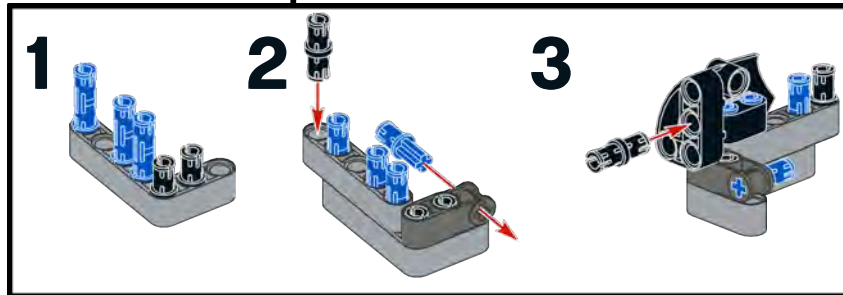
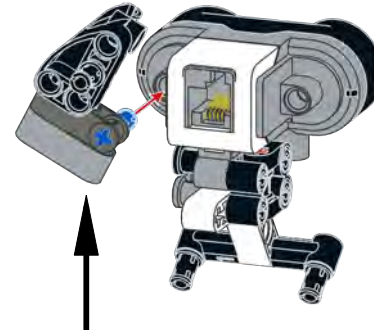
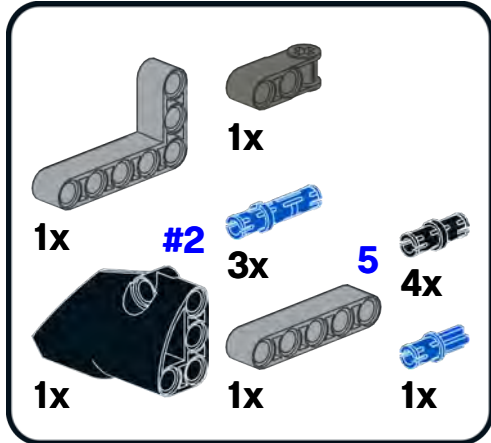
4



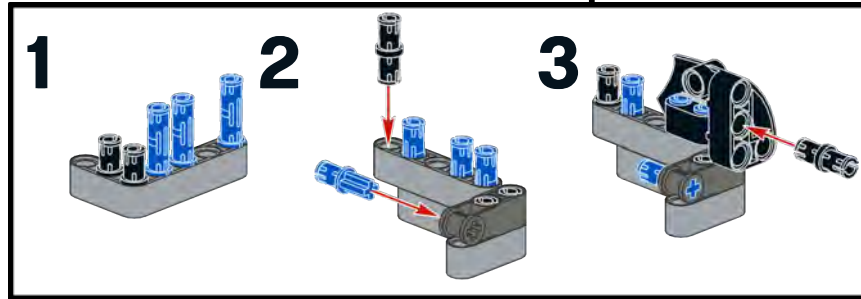
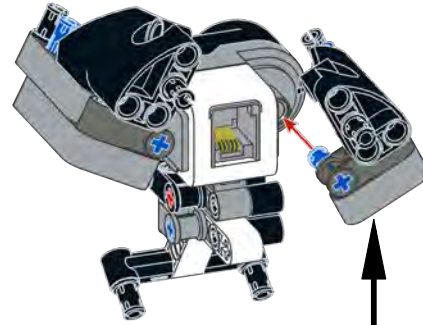
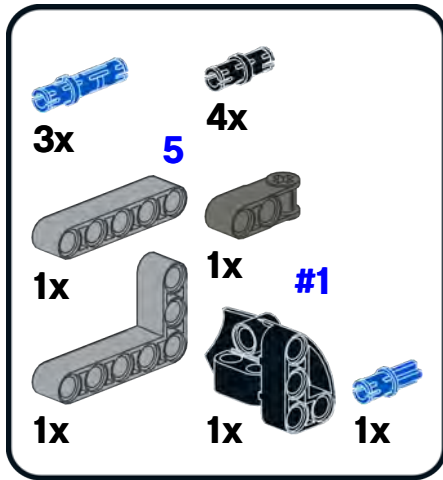
5



6













7

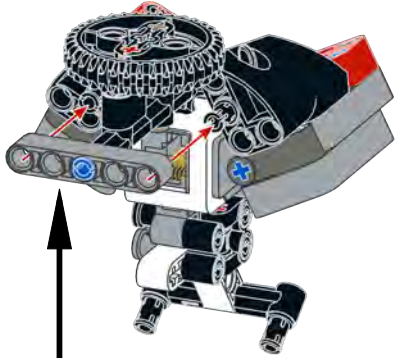


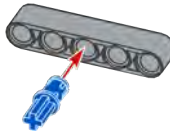
8





9

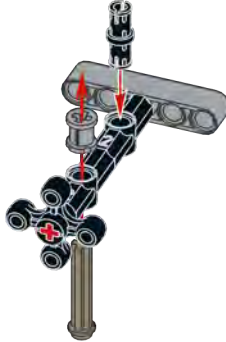
		#2	
2x		1x	
			
	1x		
			1x
1x	5	1x	2
			3x
1x	1x	3	1x

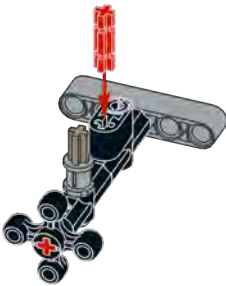



1 

2 

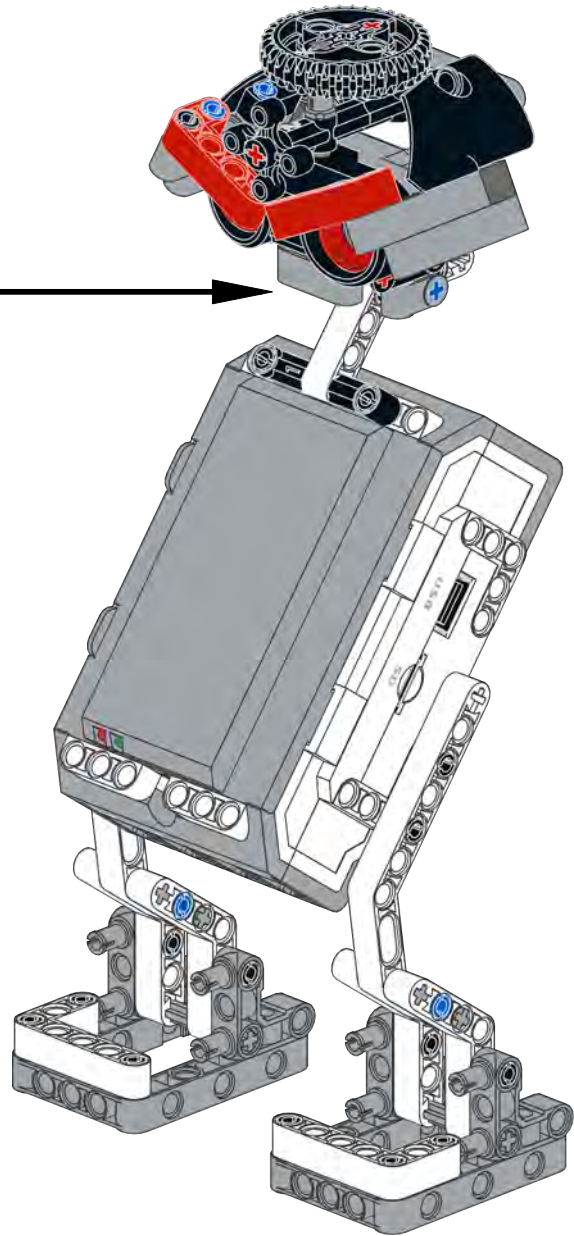
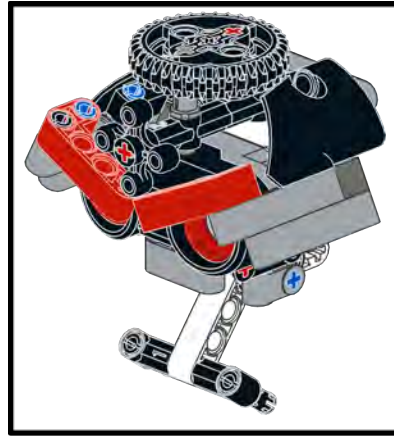
3 

4 

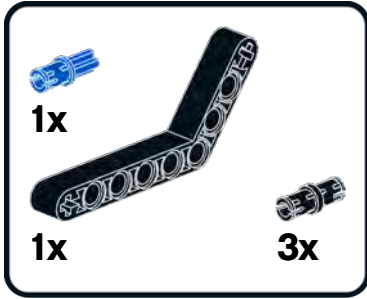
5 

6 

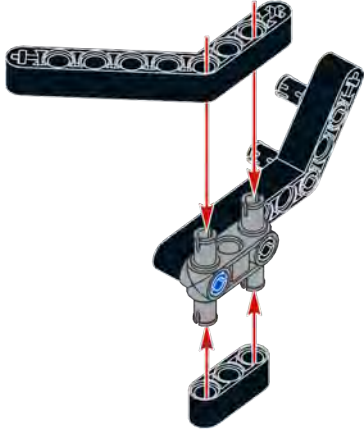
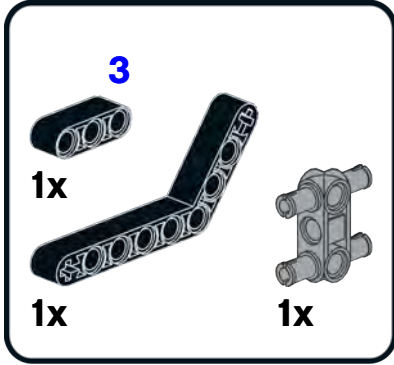
4



1



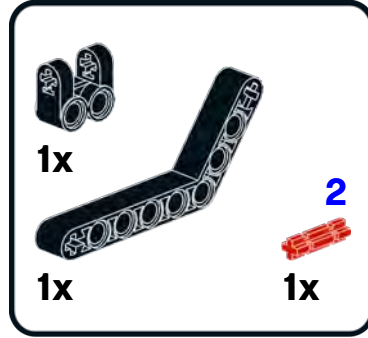
2



3



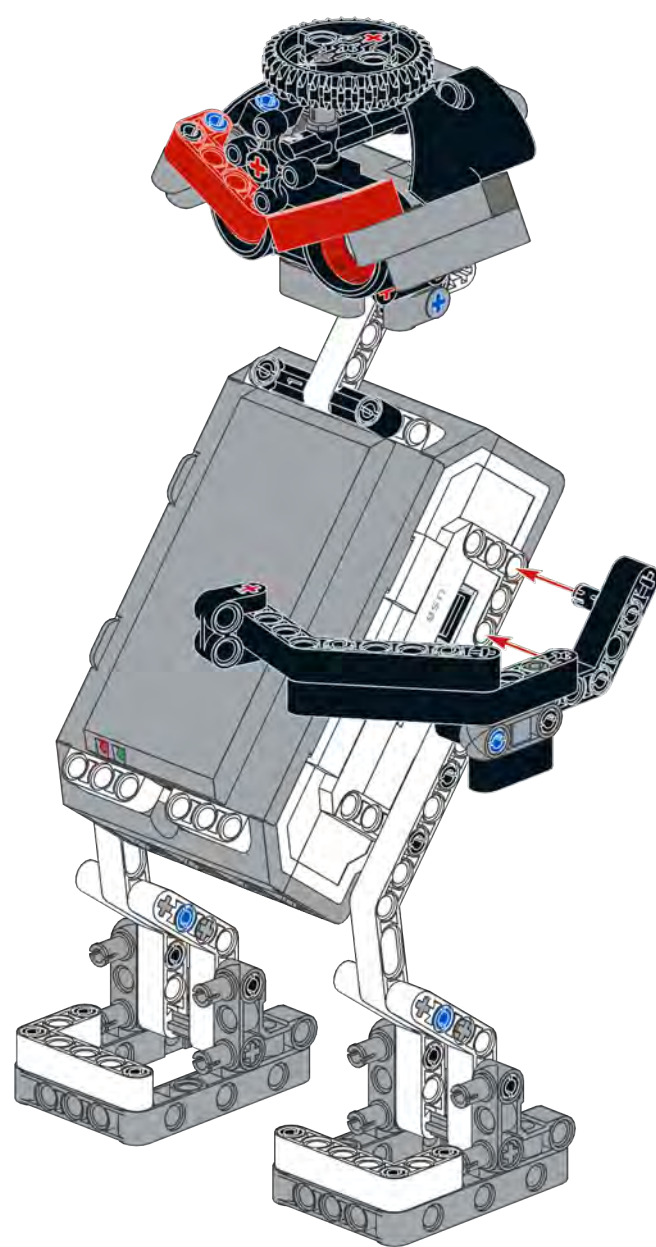
4



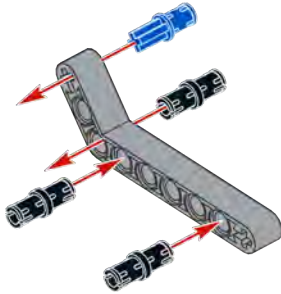
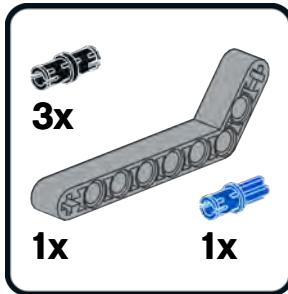
5



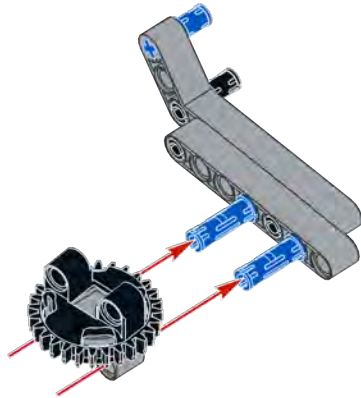
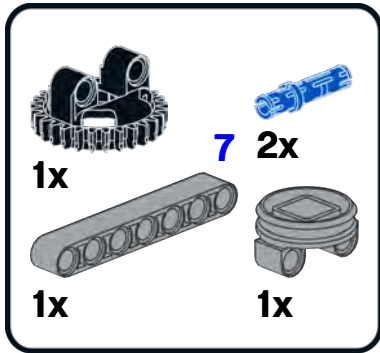
5



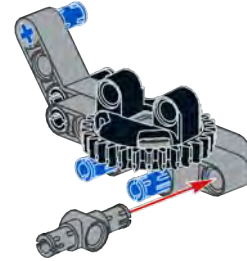
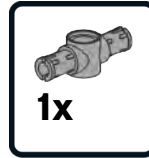
1



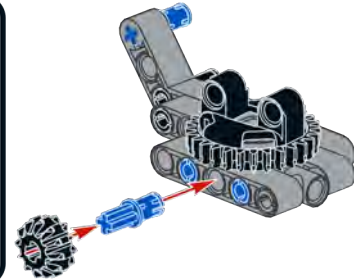
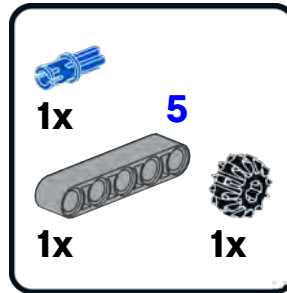
2



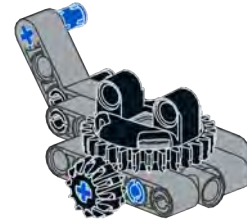
3



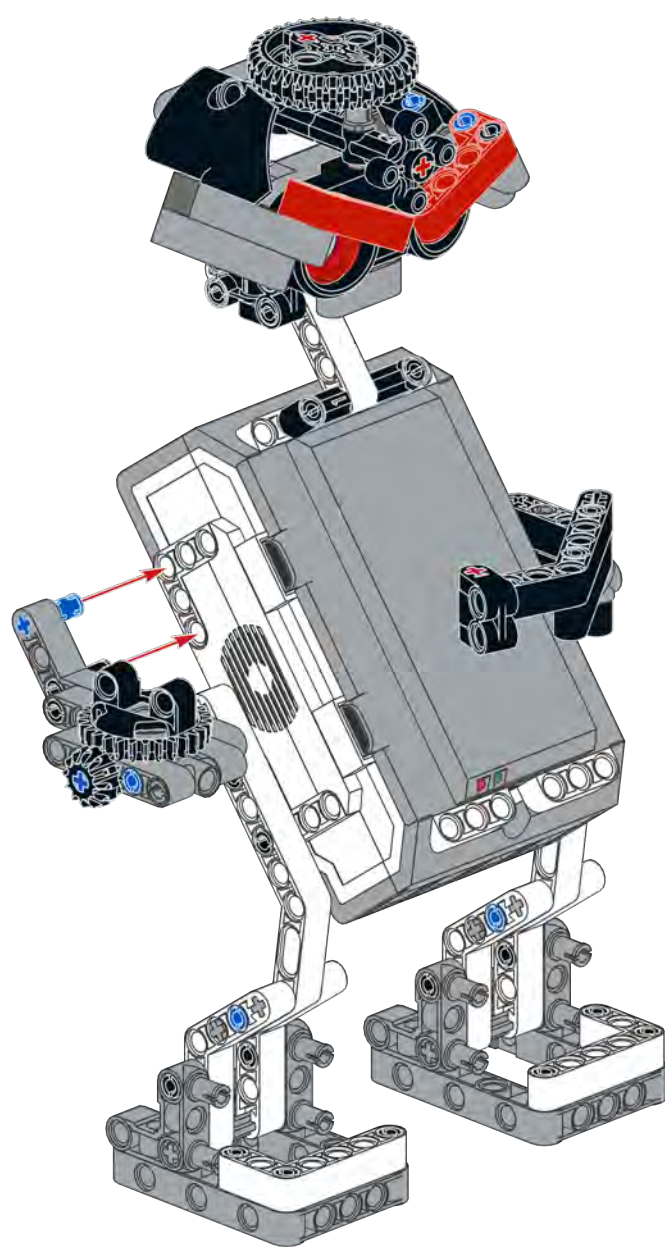
4



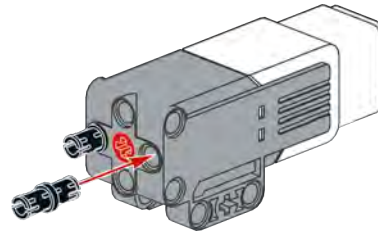
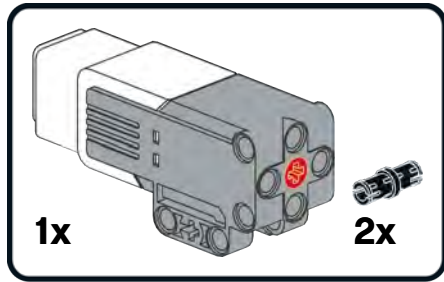
5



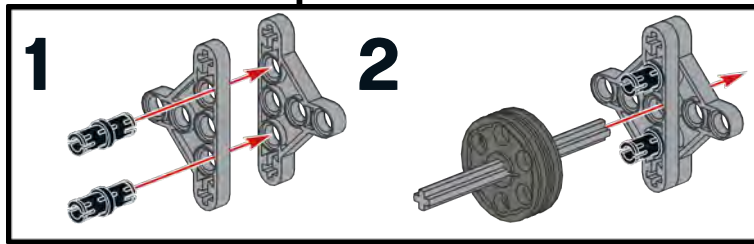
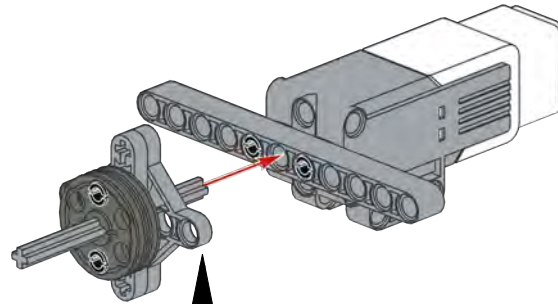
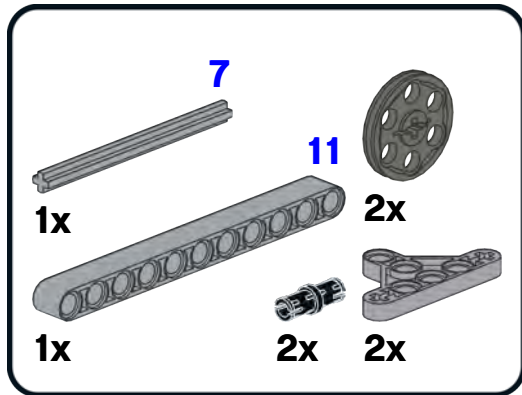
6



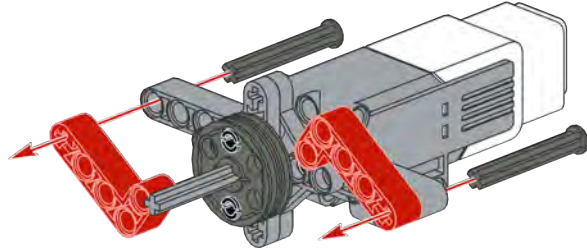
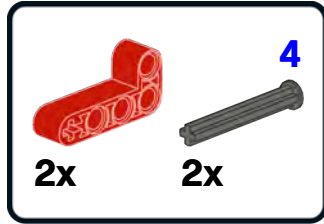
1



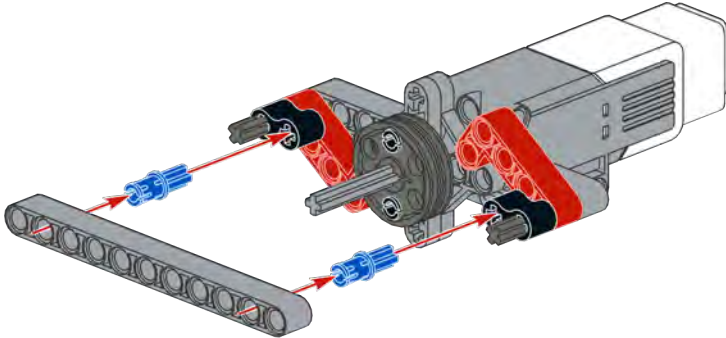
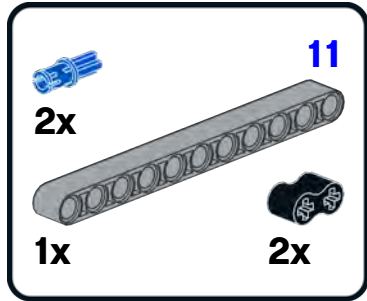
2



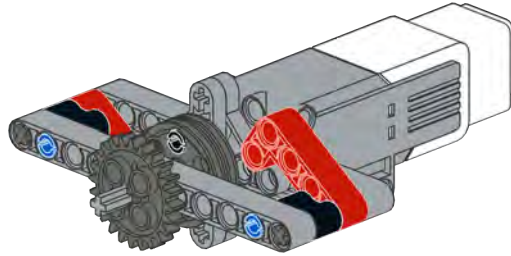
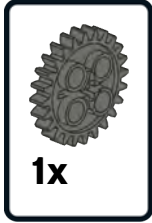
3



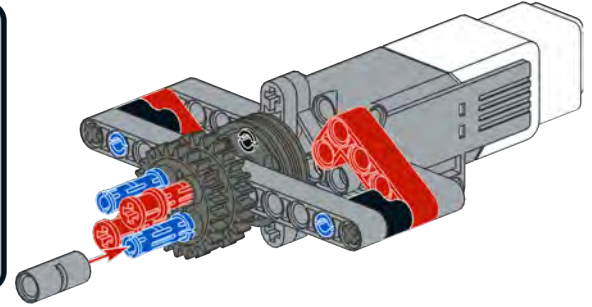
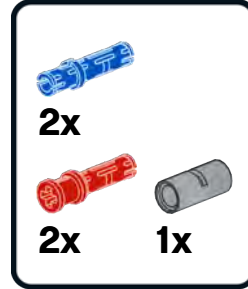
4



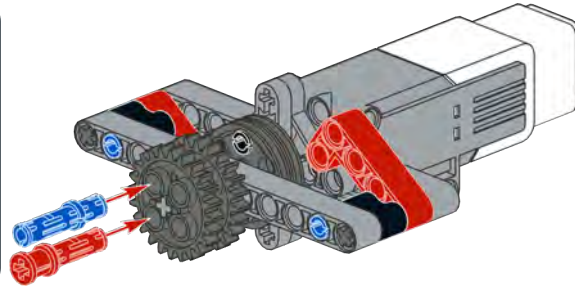
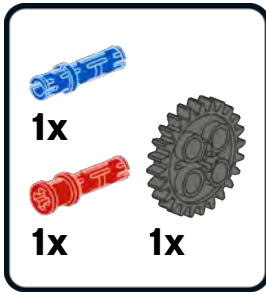
5



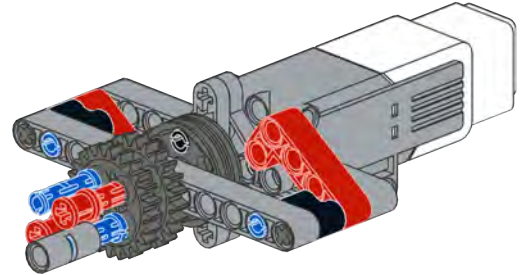
7



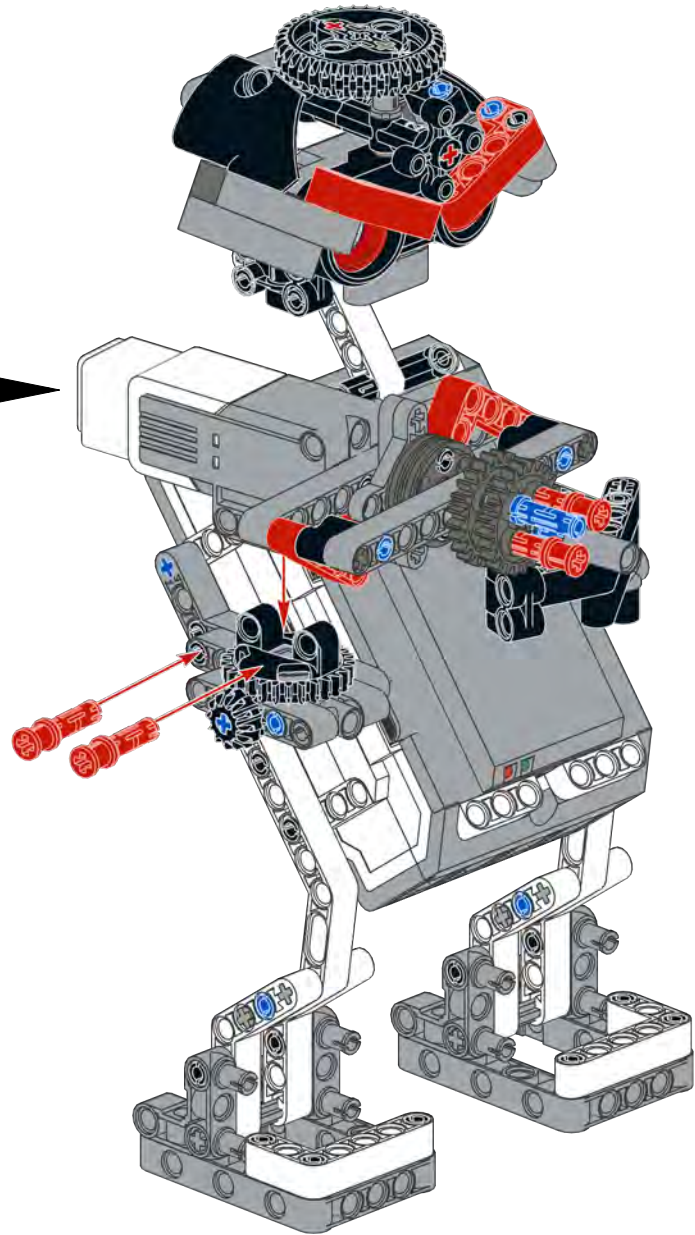
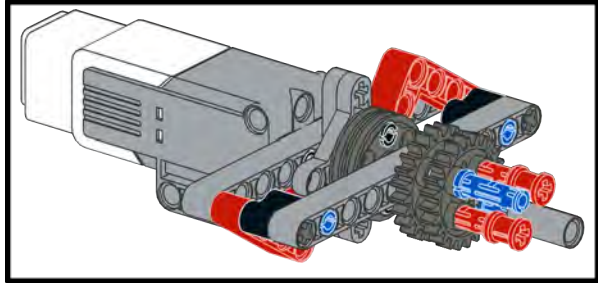
6



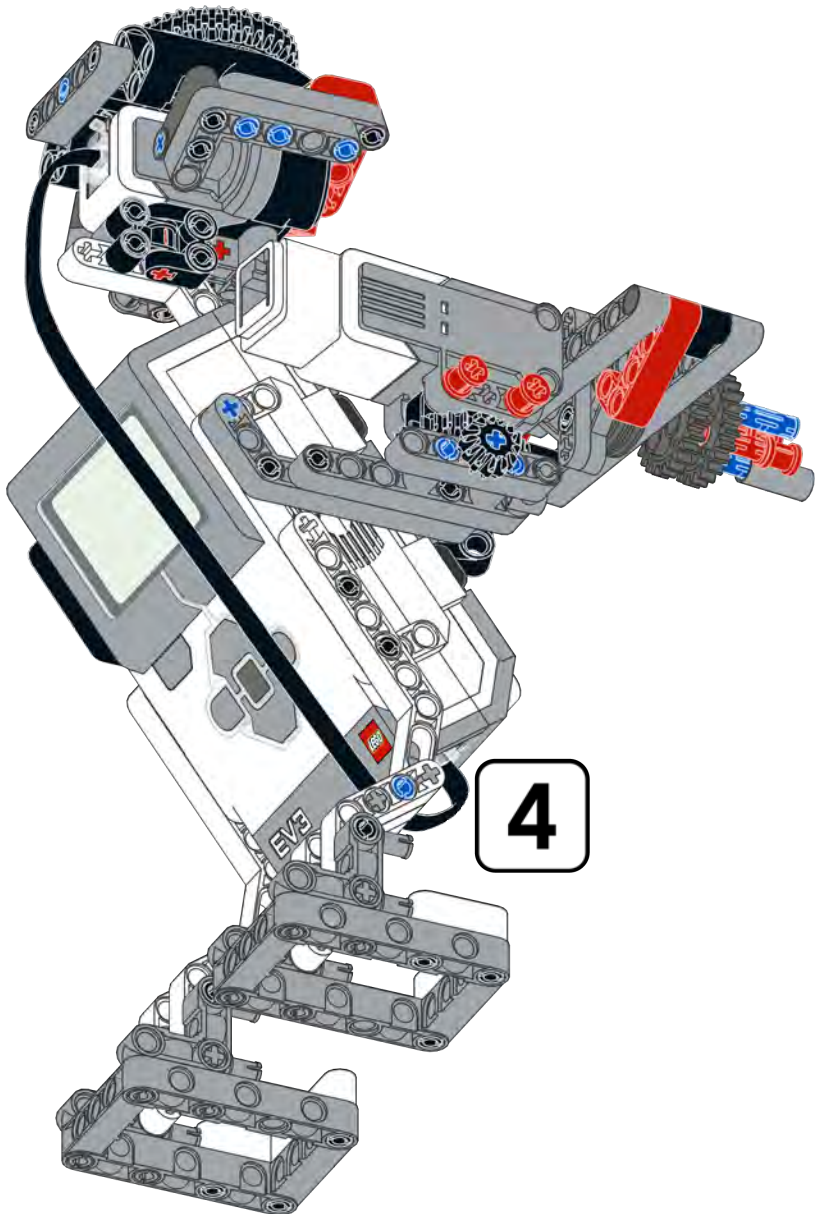
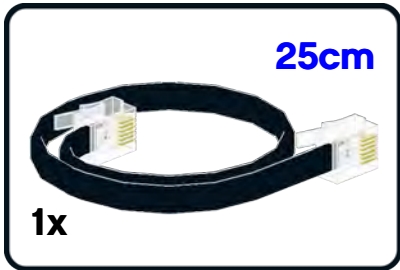
8



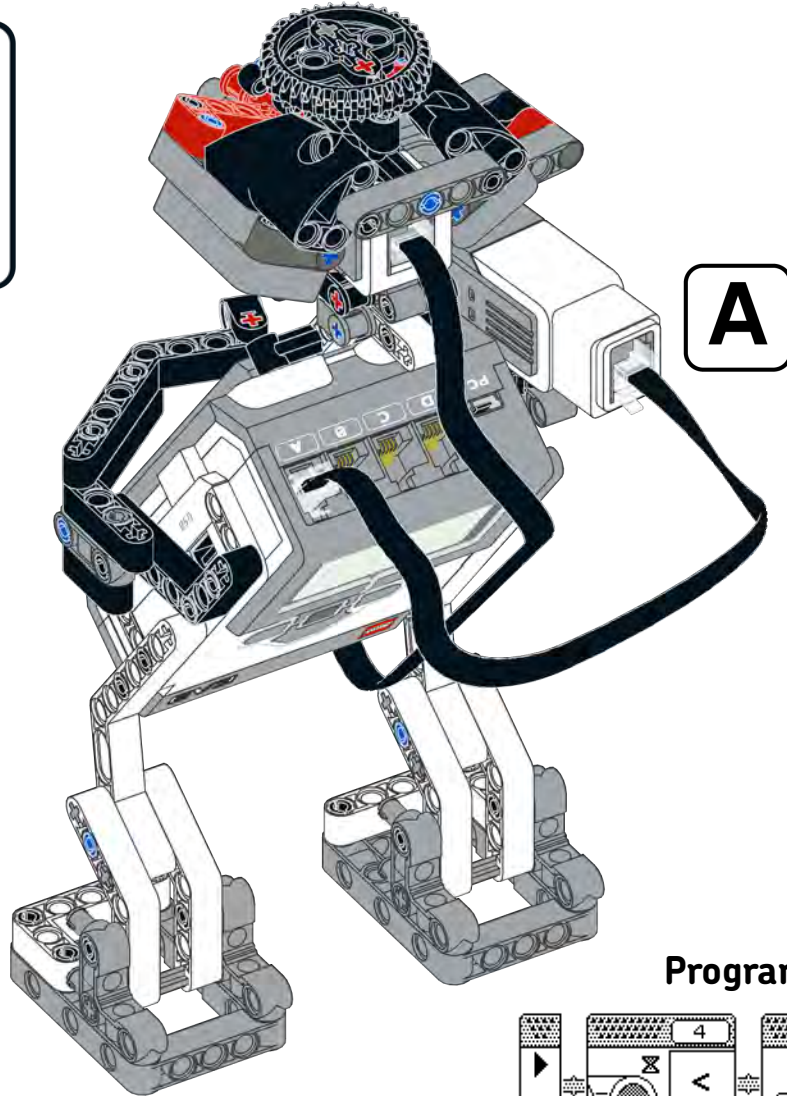
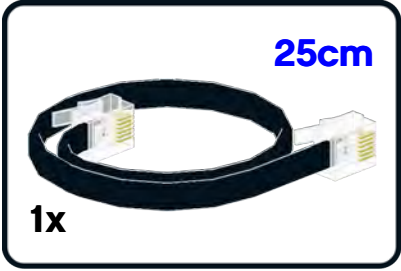
7



8



9



Program the robot using the EV3 Brick Program App

